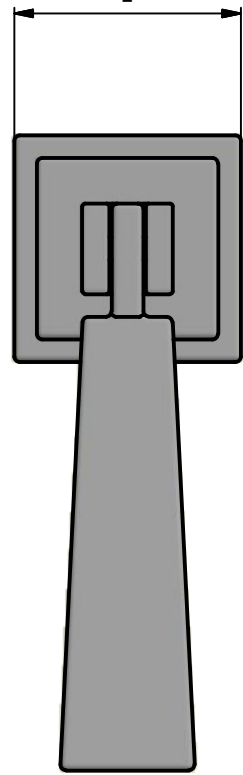
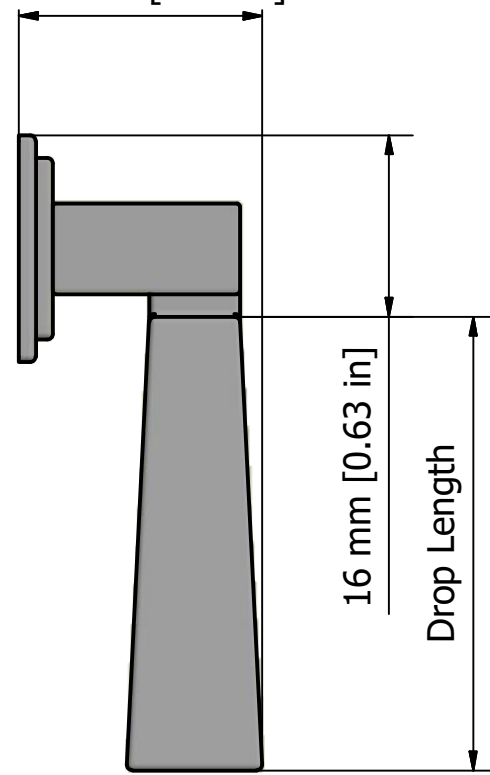


20 mm [0.79 in]

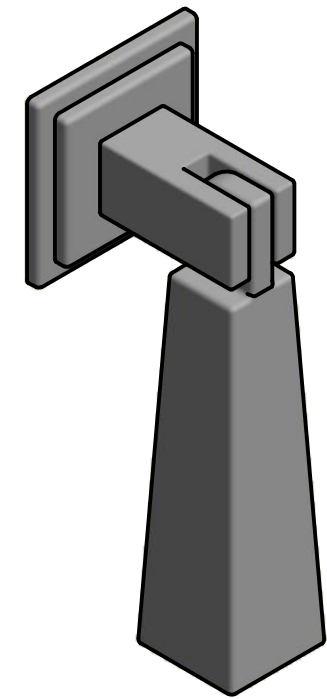
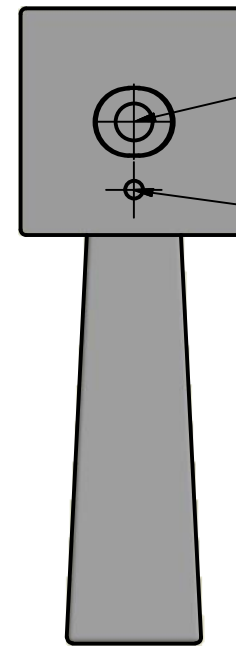


21.5 mm [0.85 in]



M4 fixing

M2 anti rotation



Code	Drop Length
CP1089.02	40mm [1.57 in]
CP1089.03	50mm [1.97 in]